

# mcmurdo

safety for professionals



# SART

**A SART is a 'search and rescue locating device' designed to assist in survivor craft location during search and rescue operations.**

The SART is primarily intended for fitment by SOLAS vessels under carriage requirement rules. SOLAS fitting rules differ depending on type and size of vessel and survival craft. In general, at least one search and rescue locating device is carried on each side of every passenger and cargo ship over 500 gross tons. Smaller SOLAS classified vessels are required to carry at least one search and rescue locating device.

The SART should be stowed on board in a location where it can be rapidly placed in any survival craft. Once activated, the SART may be suspended inside the survival craft or mounted in an elevated position using the integrated extending pole.



## S4 Rescue Radar SART

The S4 Rescue Radar SART is a 9GHz X-band radar transponder which offers proven reliability. Extremely simple to use, the S4 Rescue can be operated even with gloved or wet hands. Its compact design makes it suitable for packing in liferafts or as a carry off device.

When a radar signal is received from a ship or aircraft, the S4 Rescue automatically transmits a response signal, which clearly identifies the survival craft on the radar screen by means of a stream of 12 in-line dots. Once activated, the S4 will remain in standby mode for over 96 hours.

The S4 Rescue has been designed for reliable operation in the toughest of marine environments.

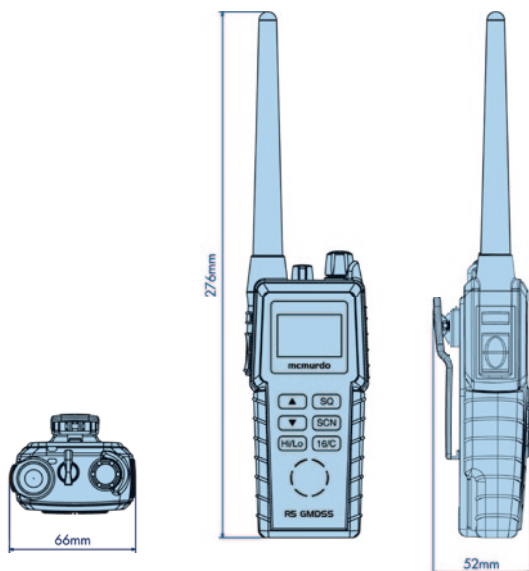
- Ship or survival craft options
- Waterproof to 10m
- Buoyant
- Compact and lightweight
- Replaceable, 5 year battery pack
- Audio/visual indication of operation
- Built-in test facility
- Integral lanyard
- Mounting options - internal/external



## Technical Specifications

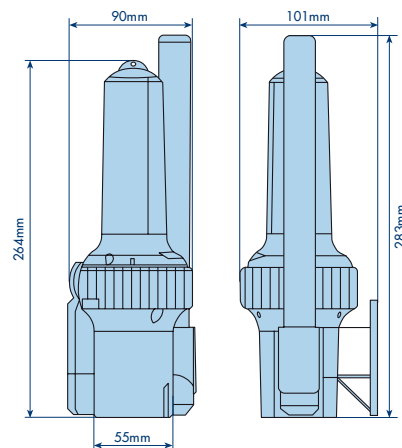
### R5 GMDSS VHF Handheld Radio

		R5 GMDSS Pack A	R5 GMDSS Pack B
Approvals		MED, FCC	Med, FCC
Frequency Range	23 GMDSS channels	149.3-174MHz	149.3-174MHz
Channel separation		25kHz	25kHz
Dual watch, Tri-watch		✓	✓
Transmitter power	(Hi/Lo)	2/1W	2/1W
Red back light	with dimming	✓	✓
Keypad lock		✓	✓
Keypad beep	On/Off	✓	✓
Volume rotary control		✓	✓
Waterproof	Submersible to 1/2 metre for 1/2 hour	IP67	IP67
Temperature	Operating	-20°C to +55°C	-20°C to +55°C
Temperature	Storage	-30°C to +70°C	-30°C to +70°C
Weight	With GMDSS battery	340g	340g
Lanyard & belt clip		✓	✓
Battery save function		✓	✓
Battery level indicator		✓	✓
Standard battery	180mAh rechargeable Li-Ion	✓	✓
GMDSS battery	6 year lithium	✓	✓
AC/DC charger base		✓	✓
Storage base		✓	✓



### S4 SART

Receiver Response:	9.2-9.5 GHz, sensitivity better than -50 dBm
Transmitter Response:	12 forward and return sweeps through the range 9.2-9.5 GHz. Nominal sweep times 7.5_s forward and 0.4_s return.
Radiated Power (ERP):	Not less than 400 mW (+26 dBm)
Duration of Operation:	96 hours in standby condition followed by a minimum 8 hours of transmission while being continually interrogated with a pulse repetition frequency of 1 kHz.
Temperature Range:	-20°C to +55°C operational -30°C to +65°C storage
Effective Antenna Height:	1 metre or greater
Weight:	360g (without mast or bracket) 510g (with mast) 530g (with mast & bracket)
Dimensions:	264mm long x 90mm diameter
Battery replacement interval:	5 years



# mcmurdo

safety for professionals

Orolia Ltd  
Silver Point, Airport Service Road  
Portsmouth PO3 5PB  
United Kingdom

Tel: +44 (0) 23 9262 3900  
Fax: +44 (0) 23 9262 3998  
E-mail: [sales.mcmurdo@orolia.com](mailto:sales.mcmurdo@orolia.com)  
[www.mcmurdomarine.com](http://www.mcmurdomarine.com)



Distributors and agents throughout the world



Dealer: